

4

3

2

1

D

D

C

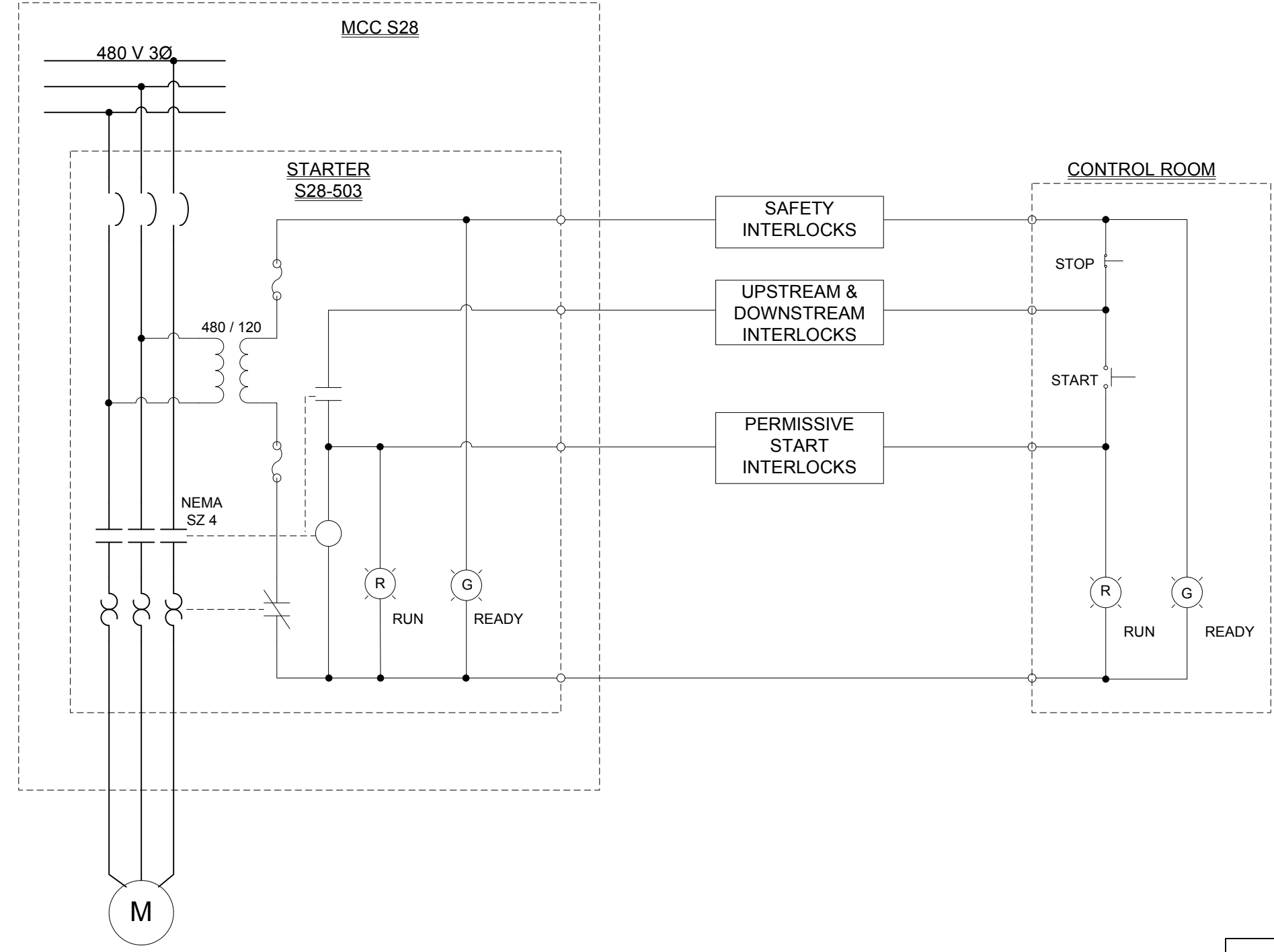
C

B

B

A

A



Can be implemented with either
hardwired controls or with
Programmable Logic Controllers
(PLCs)

MAIN DRIVE
MILL NO. 5
100 Hp

	SIZE	FSCM NO	DWG NO	REV
	SCALE	1 : 1	SHEET	1 OF 1

4

3

2

1